

Spray Nozzles

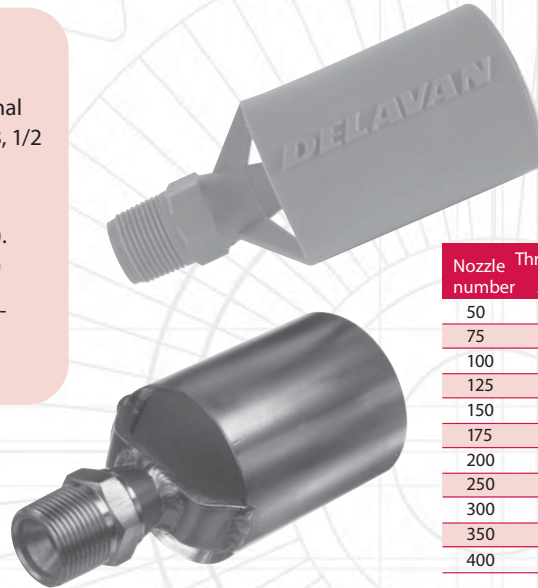
Special Purpose

DELAVAN.
Spray Technologies
www.delavan.co.uk

Type BB Eductor

Features:

- One piece design with no internal components. Available with 3/8, 1/2 and 3/4 BSP male threads.
- Maximum Design Pressure:-
Stainless Steel – 500 psi (35 bar).
Polypropylene – 150 psi (10 bar)
- Maximum Design Temperature:-
Stainless Steel – 900°F (500°C).
Polypropylene – 170°F (75°C)

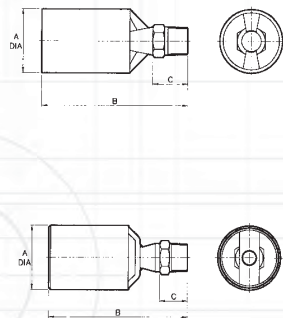


Nozzle number	Thread Sizes (BSPT) Male Only			Approx orifice size in mm
	3/8	1/2	3/4	
50	X			4.4
75	X			5.4
100	X	X	X	6.4
125		X	X	7.1
150		X	X	7.8
175		X	X	8.4
200		X	X	8.8
250			X	9.8
300			X	11
350			X	11.9
400			X	12.7

Flow Rate per Nozzle

Nozzle number	Flow Rate in Litres / Min at Bar G									
	0.7	1	1.5	2	3	4	5.0	7.0	8	Over Ratio
50	9.61	11.61	14.2	16.4	20	23.1	25.8	30.19	32.2	3.1
75	14.42	17.42	21.3	24.6	30	34.8	38.9	45.3	48.3	3.1
100	19.1	22.8	27.94	32.24	40	45.6	51	60.38	64.4	3.1
125	24	29	35.5	40.25	50	58	63.75	75.46	80.5	3.1
150	28.8	34.4	41.67	48.6	60	68.8	76.5	90.12	96.4	3.1
175	33.4	39.9	48.9	56.48	69	79.8	89.25	105.57	110.95	3.1
200	38	45.5	55.7	64.3	78.8	91	102	120.31	128.6	3.1
250	47.6	57	69.6	80.4	98.75	114	128	150	160.8	3.1
300	57.2	68.3	83.33	96.9	118.3	136.6	153	180.7	197.8	3.1
350	66.5	79.63	97.5	112.53	138	159.28	178	210.54	225	3.1
400	76	90.6	111.96	129	157	181.2	202.5	241.1	258	3.1

Nozzle number	Flow Rate in GAL / Min at PSIG								Over Ratio
	0.7	1	1.5	2	3	4	5.0		
50	2.5	4.3	5.3	6.1	6.8	7.98	8.5	3.1	
75	3.8	6.5	7.9	9.2	10.3	11.9	12.8	3.1	
100	5	8.5	10.6	12	13.5	15.9	17	3.1	
125	6.3	10.6	13.2	15.3	16.8	19.9	21.3	3.1	
150	7.6	13.16	15.9	18.2	20.2	23.8	25.5	3.1	
175	8.8	14.9	18.2	21.1	23.6	27.9	29.3	3.1	
200	10	16	20.8	24	27	31.7	34	3.1	
250	12.6	21.2	26.1	30.1	33.8	39.6	42.5	3.1	
300	15.1	25.6	31.3	36.1	40.4	47.7	52.3	3.1	
350	17.6	29.7	36.5	42.1	47	55.6	59.4	3.1	
400	20.1	34.1	41.5	47.9	53.5	63.7	68.2	3.1	



Contact our Helpline or your local distributor for further information
Tel: +44 (151) 424 6821 or inside USA Toll Free: 1-800 Delavan
E-mail: delavanspray@goodrich.com or sales@delavan.co.uk

Spray Nozzles

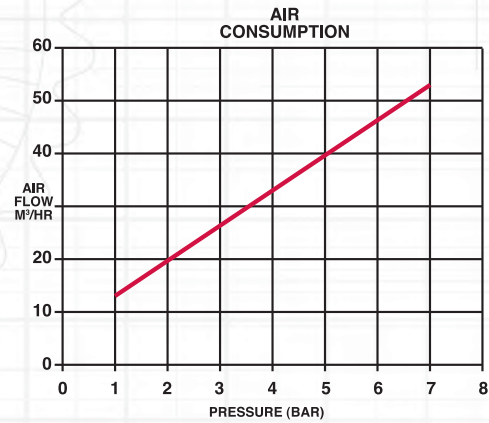
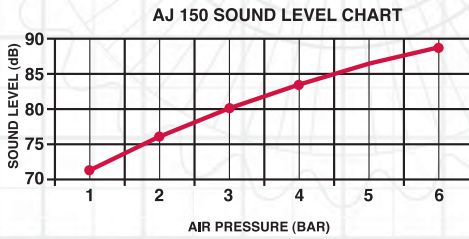
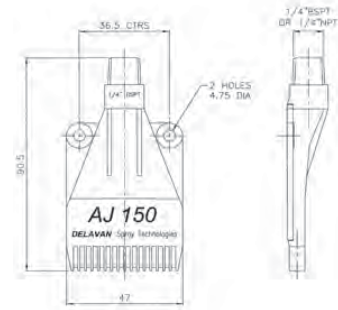
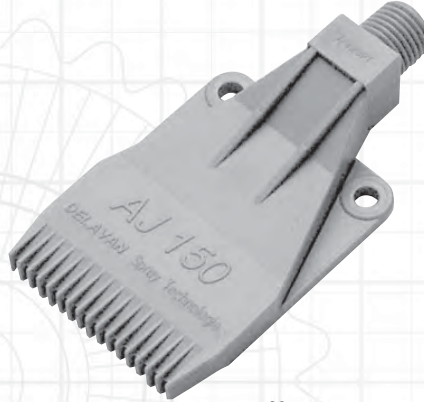
Special Purpose

AJ150 Type Nozzle

Delivers high impact, flat streams of compressed air. Can be mounted side by side to produce an air curtain.

Available in Polyacetal.

1/4" BSPT AJ 150 Part No:- W18783-1



This is not our complete range of products, to see a full listing visit our website @

www.delavan.co.uk

